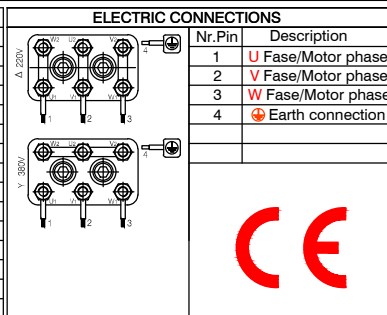


Voltage	V \pm 10%	220	
Output Power	kW	2.2	
Current	A	9.70	
Max Frequency	Hz	600	
Max rpm	rpm	18000	
Torque	Nm	0.95	
Front Bearing			
Vost. Bearing			
Efficiency	η		
Power factor	cos ϕ	0.77	
Poles		4	
Service type		S1	
Insulation classoltage		F	
Cooling		Electric-fan	
Weight	kg		
Type of Protection	IP	54	



ES915.070-18/2.20-ISO30

ML® 深谊

Drawing Ver : A4

Mark	Change Description	Date:	Name
Design:	M.Z.HUANG	Date: 2014.06.03	Scale:
Check:	Y.J.HUANG	Date: 2014.06.03	Size: A4
Approv:		Date:	Page: 1/1

Dimensions in mm

自动换刀电主轴

ES915.070-18/600Hz/2.20KW-ISO30/S1